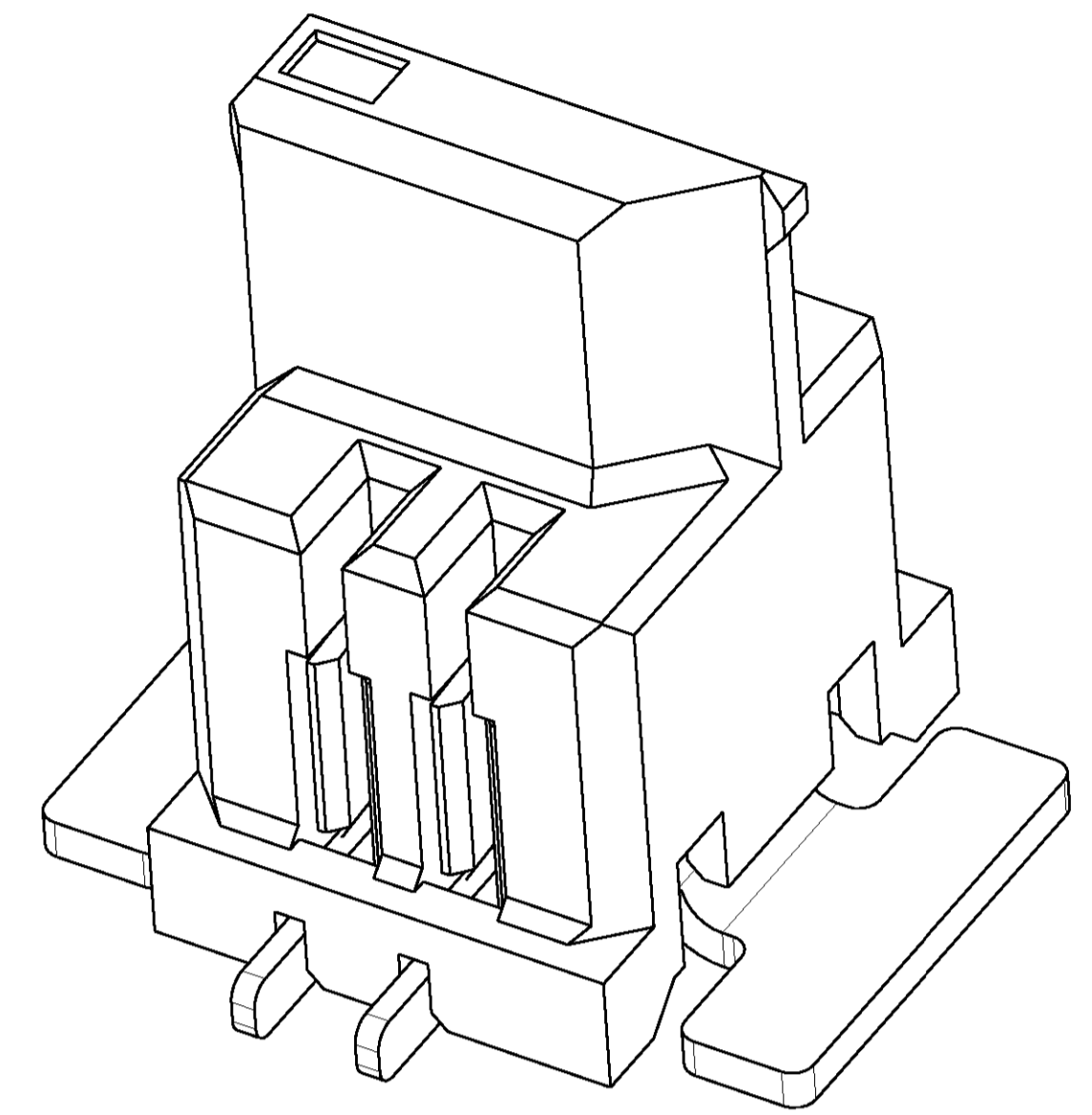
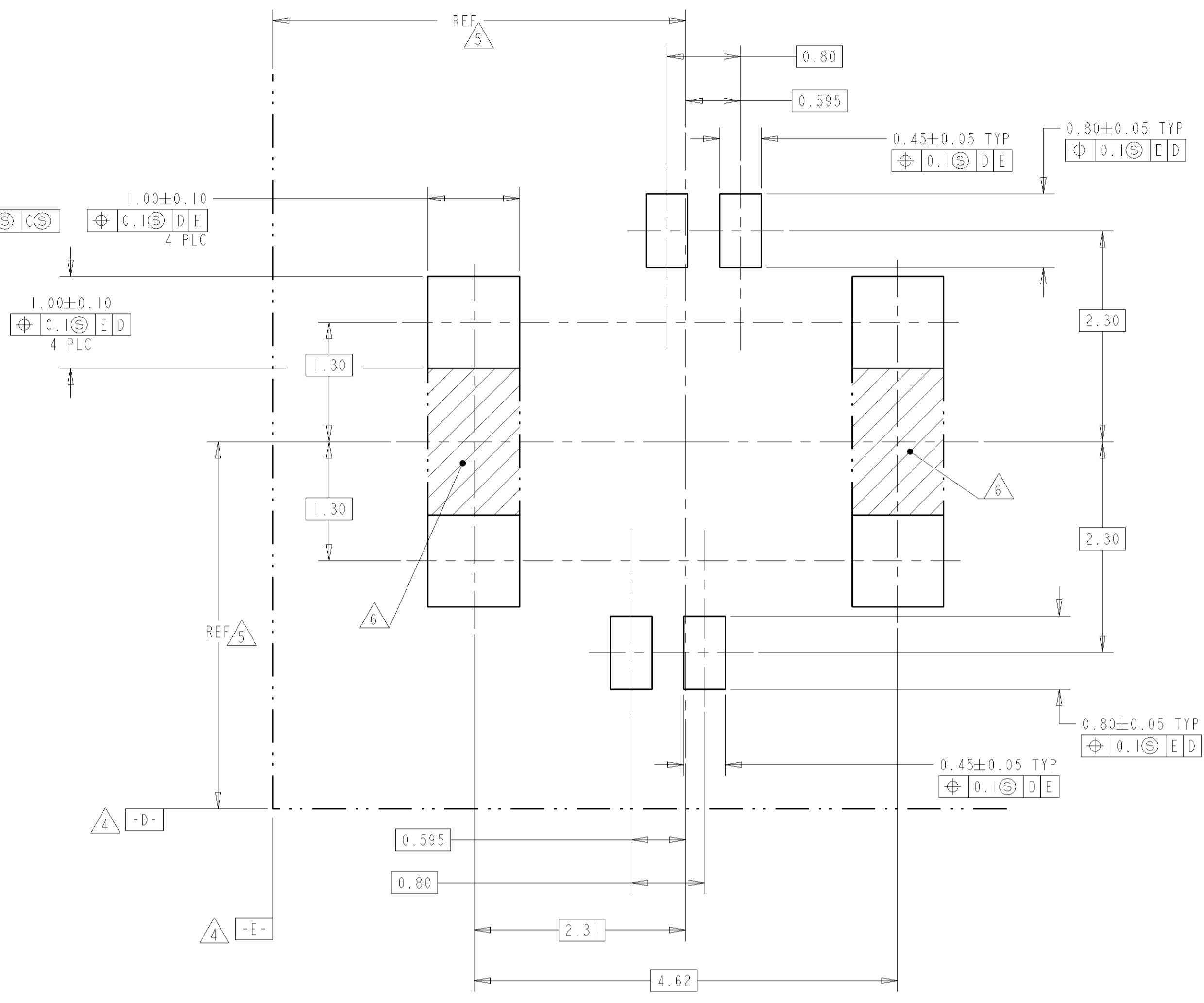
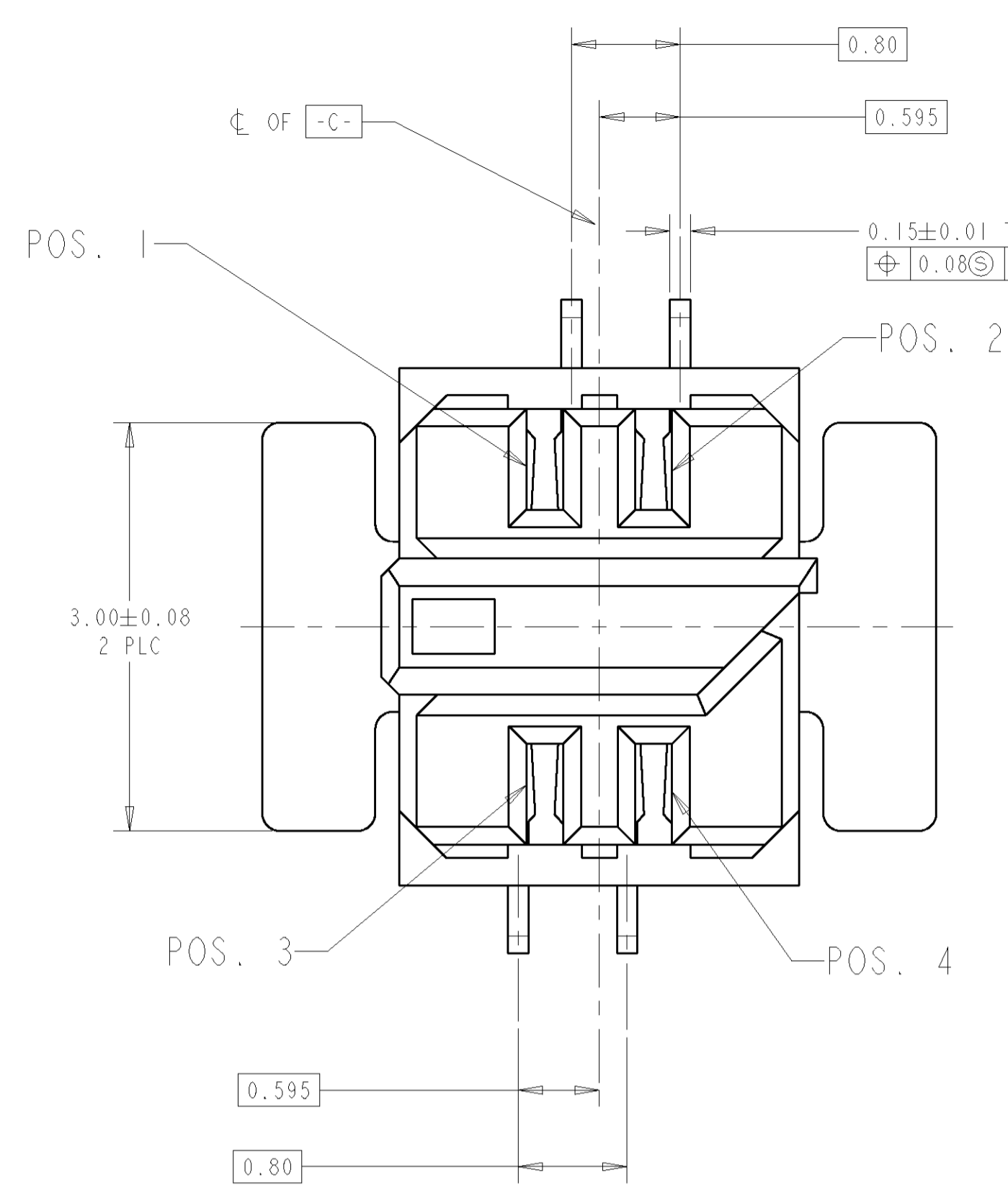
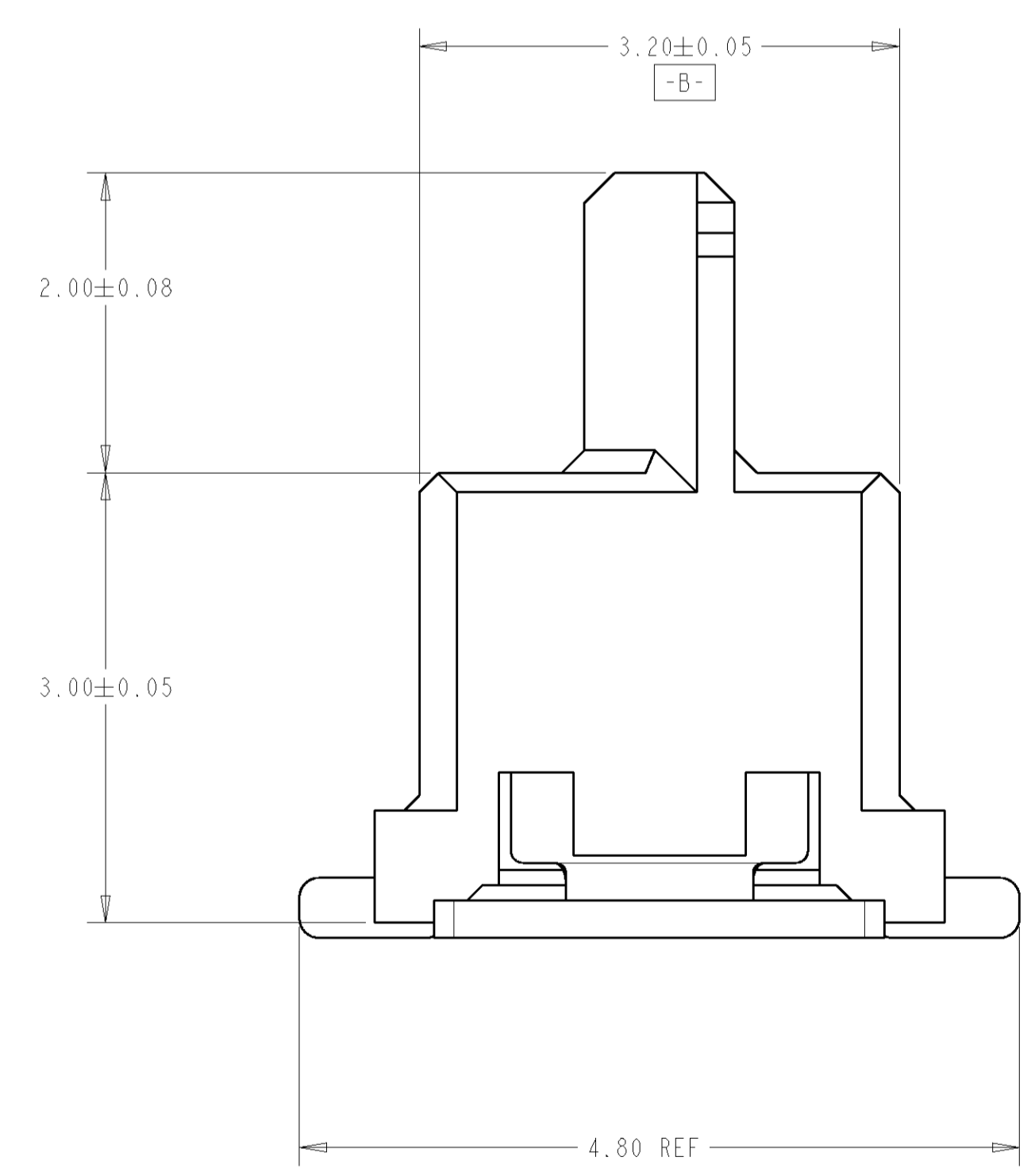
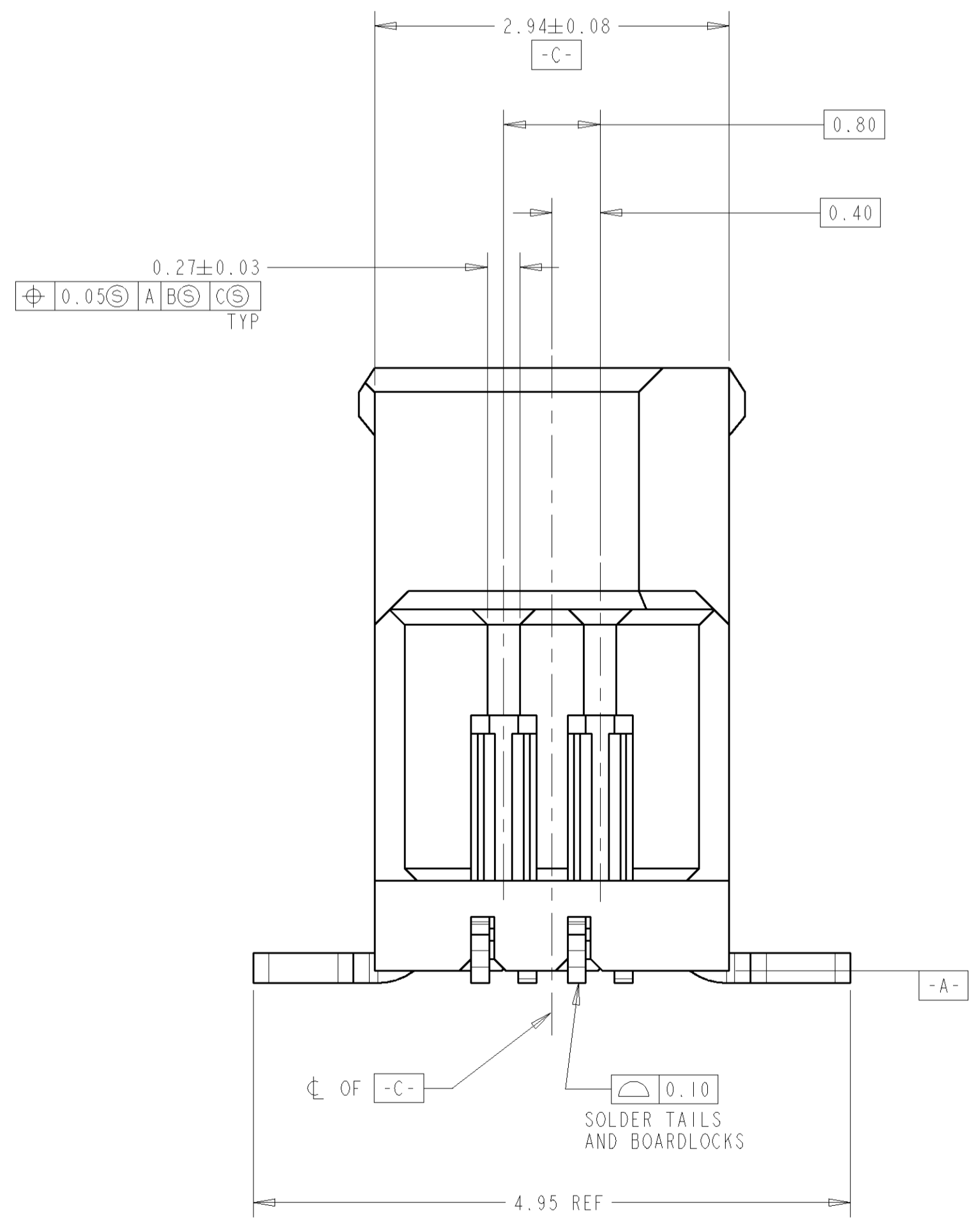


LOC	DIST	REVISIONS					
AD	00	P	LTR	DESCRIPTION	DATE	DWN	APVD
		0		REV PER OG3C-0326-01	17DEC01	RB	JM
		A		REV PER OG3C-0367-03	27OCT03	RB	JM
		B		OG3C-0736-04	20FEB2006	RB	DR



SCALE 25:1



SCALE 25:1

- 1 HOUSING MATERIAL; UL94 V-0 RATED LCP, COLOR: NATURAL.
CONTACT MATERIAL; PHOS BRONZE
BOARDLOCK MATERIAL; BRASS
- 2 CONTACT PLATING; 0.76 μm MIN GOLD IN MATING AREA
0.13 μm - 0.20 μm GOLD IN SOLDER AREA.
BOTH OVER 1.27 μm MIN NICKEL ON ENTIRE STOCK.
- 3 BOARDLOCK PLATING; 3.8 μm MIN BRIGHT TIN/LEAD ON ENTIRE STOCK
OVER 1.27 μm MIN NICKEL ON ENTIRE STOCK.
- 4 DATUMS ESTABLISHED BY CUSTOMER.
- 5 BASIC DIMENSIONS ESTABLISHED BY CUSTOMER.
- 6 NO TRACES ON EXTERNAL BOARD LAYER IN THIS AREA.
- 7 BOARDLOCK PLATING; 3.8 μm MIN TIN ON ENTIRE STOCK
OVER 1.27 μm MIN NICKEL ON ENTIRE STOCK.
- 8 ROHS 2002/95/EC COMPLIANT.

4	5-1445339-1
4	1445339-1
NO OF POS.	PART NUMBER

DIMENSIONS: mm 		TOLERANCES UNLESS OTHERWISE SPECIFIED: 0 PLC ± 1 PLC ±0.13 2 PLC ±0.13 3 PLC ±0.13 4 PLC ± ANGLES ±1		DWN D. FABIAN 28FEB2001 ENR - APVD - NAME - PRODUCT SPEC 108-1955 APPLICATION SPEC 114-13051 WEIGHT - CUSTOMER DRAWING		Tyco Electronics Harrisburg, PA 17105-3608 AMPMODU MICRO INTERCONNECT RECEPTACLE ASSEMBLY 4 POSITION SIZE CAGE CODE DRAWING NO RESTRICTED TO A 00779 C=1445339 SCALE 12:1 SHEET 1 OF 1 REV B	
-----------------------	--	--	--	---	--	---	--